

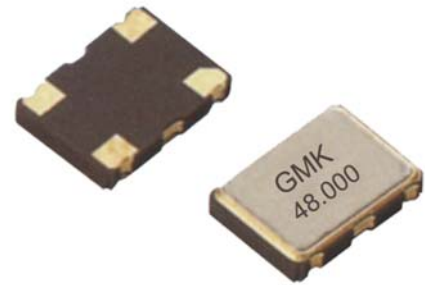
Crystal Oscillator

Seam Sealed Ceramic 7.0X5.0 Surface Mount Package



FEATURE

- Broad frequency range from 1.54MHz to 150MHz
- Compact and thin ceramic package with metalized surface mounting and automatically loaded
- Reflow solder is possible
- Lower noise and current with reduced power consumption
- Built-in C-MOS IC with tri-state function
- 5V and 3.3V supply model available



ELECTRICAL SPECIFICATIONS

Parameter	Condition/Model	OSMD7050A	OSMD7050B	OSMD7050C	OSMD7050D
Fan Out Type		TTL/CMOS	CMOS	TTL/CMOS	CMOS
Supply Voltage		5.0V	3.3V	5.0V	3.3V
Frequency Range		1.554MHz ~ 150MHz			
Operating Temperature		-10 ~ 70°C, -20 ~ 70°C, -40 ~ 85°C			
Input Current	Frequency Range	1.544~31.999MHz 35mA max(15pF) 40mA max (50pF) 32~150MHz 45mA max(15pF) 55mA max (50pF)	1.544~31.999MHz 25mA max 32~150MHz 40mA max	1.544~31.999MHz 30mA max 32~150MHz 45mA max	1.544~31.999MHz 25mA max 32~150MHz 40mA max
Frequency Stability	All Conditions	±25ppm, ±50ppm, ±100ppm			
Symmetry	AT 1/2 Vdd	40/60%			
Output Voltage	Vol(max)	0.4V/0.5V	0.33V	0.5V	0.33V
	VoH(min)	2.4V/4.5V	2.97V	4.5V	2.97V
Rise/Fall Time	AT 0.1Vdd~0.9Vdd	10ns Max			
Driving Ability	10 LSTTL Load max			15pF	15pF
	CMOS load max	15pF/50pF	15pF		
	TTL load max	10TTL			
Start-up Time	Load RANGE	10ms Max			
E/D Function	#1 OPEN	PIN #3 ACTIVE			
	#1 ≥2.2V	PIN #3 ACTIVE			
	#1 ≤0.8V	PIN #3 HIGHZ			
PAD Connection		PIN#1 E/D		PIN#3 OUT	
		PIN#2 GND		PIN#4 Vdd	

Great Marking (HK) Industry Co., Limited.

Add: Unit 27EF, the Sky Castle, North of Jingtian, Futian District, Shenzhen 518034 CHINA

Tel: +86-755-83056036 83056901 83056902 Fax: +86-755-83056903

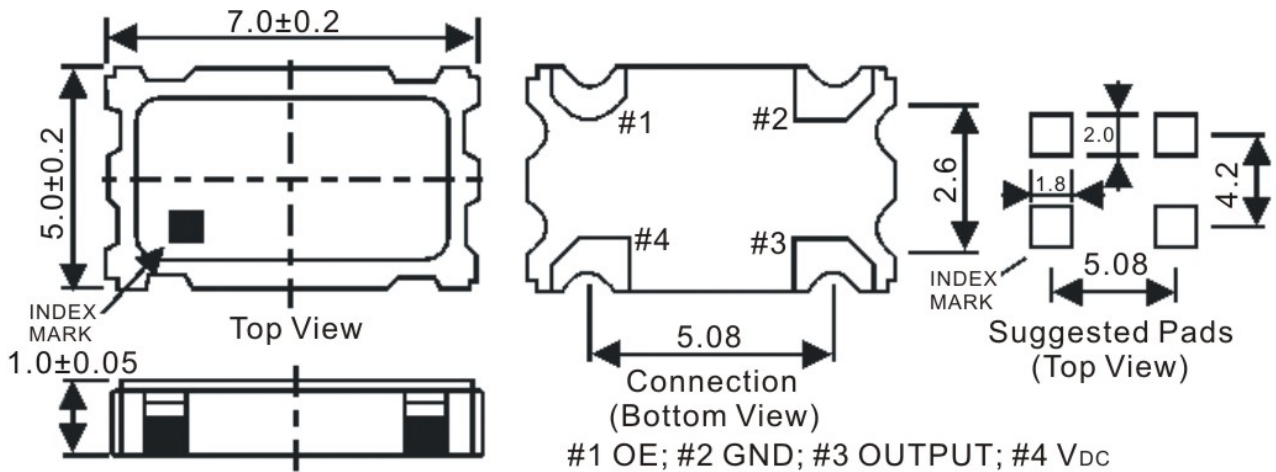
E-mail: sales@greatmarking.com Url: www.greatmarking.com

Crystal Oscillator

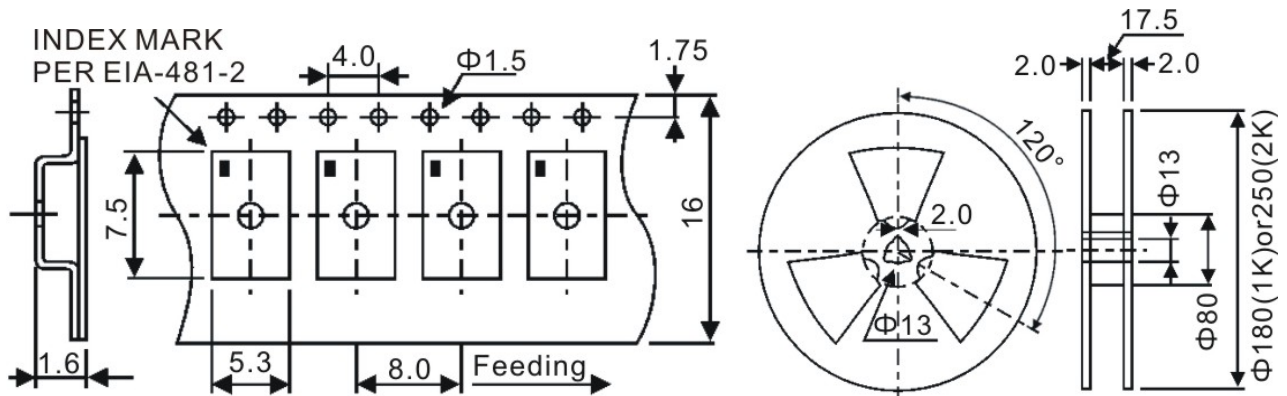
Seam Sealed Ceramic 7.0X5.0 Surface Mount Package



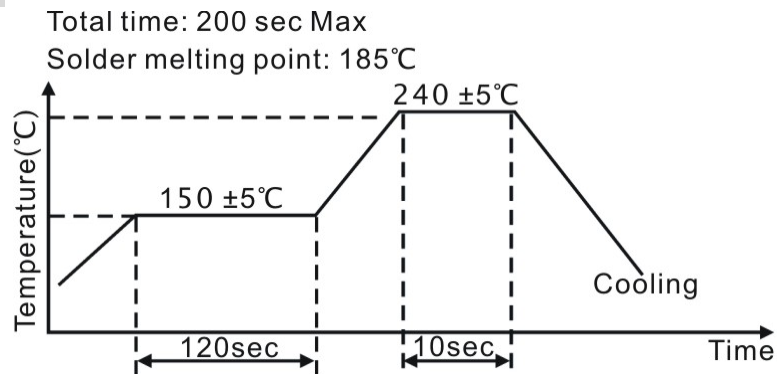
DIMENSIONS



PACKING



REFLOW CONDITION



PART NUMBER

GMK-OSMD7050A-	48.000	50	B
-OSMD7050B-	Frequency	Frequency	operating
-OSMD7050C-	48.000	tolerance	temperature
-OSMD7050D-	MHz	±50ppm	range
			A:-10-70°C
			B:-20-70°C
			C:-40-85°C

Great Marking (HK) Industry Co., Limited.

Add: Unit 27EF, the Sky Castle, North of Jingtian, Futian District, Shenzhen 518034 CHINA

Tel: +86-755-83056036 83056901 83056902 Fax: +86-755-83056903

E-mail: sales@greatmarking.com Url: www.greatmarking.com