

# Quartz Crystal Surface Mount Package For Tuning Fork



## FEATURE

- Wide Frequency range
- Small size
- Tape & Reel



## APPLICATIONS

- Microprocessor Systems
- Consumer Electronics

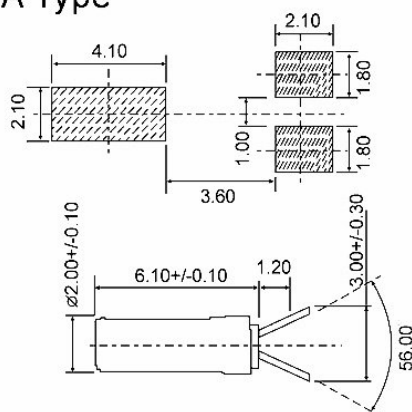
## ELECTRICAL SPECIFICATIONS FOR 206A & 206B

Frequency range	30.000KHz – 200.000KHz
Frequency Tolerance (at 25°C)	±20ppm -- ±100ppm, or specify
ESR	32KHz -- 40KHz: 40Kohm Max
	40KHz -- 60KHz: 30Kohm Max
	60KHz -- 70KHz: 25Kohm Max
	70KHz -- 100KHz: 22Kohm Max
	100KHz -- 200KHz: 20Kohm Max
Turnover Temperature	25 ± 5°C
Frequency Temperature Curve	-0.034(±0.006)ppm/°C <sup>2</sup>
Storage Temperature Range	-55 °C -- +125 °C
Operable Temperature Range	-40 °C -- + 85 °C
Shunt Capacitance (C0)	2.0pF Typ
Dynamic Capacitance (C1)	4.0pF Typ
Driver Level (Typical)	1 μW Max
Load Capacitance(C <sub>L</sub> )	6.0pF -- 12.5pF, or specify
Aging @25°C 1 <sup>st</sup> year (Max)	±3ppm, ±5ppm /year

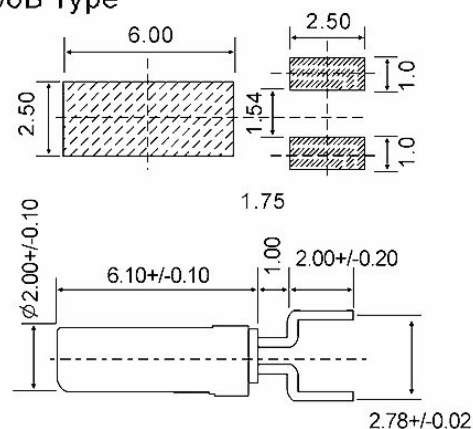
**REMARK:** SPECIFICATIONS SUBJECT TO CHANGE WITHOUT PRIOR NOTICE. PLEASE CONFIRM WITH OUR SALES ENGINEER

## DIMENSIONS AND PACKING

206A Type



206B Type



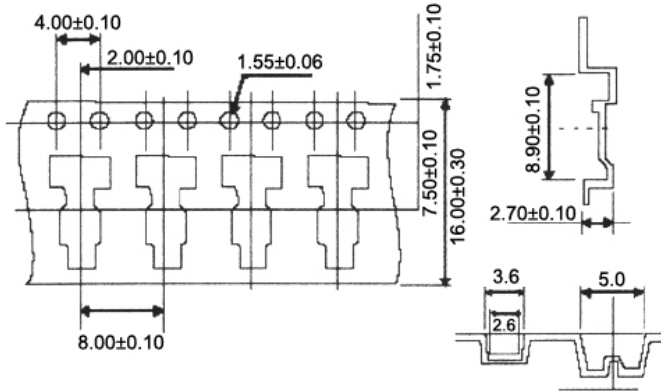
Great Marking (HK) Industry Co., Limited.

Add: Unit 27EF, the Sky Castle, North of Jingtian, Futian District, Shenzhen 518034 CHINA

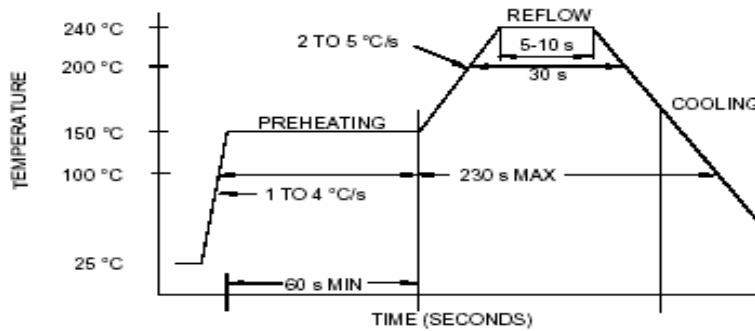
Tel: +86-755-83056036 83056901 83056902 Fax: +86-755-83056903

E-mail: sales@greatmarking.com Url: www.greatmarking.com

Tape for 206A & 206B



REFLOW SOLDERING PROFILE



PART NUMBERING

GMK-206A-	32.768	20	12.5	40	C
-206B-	Frequency 32.768 KHz	Frequency tolerance ±20ppm	Load capacitance 12.5pF	E.S.R.max e.g. 40KΩmax	operating temperature range A:-10-60°C B:-20-70°C C:-40-85°C