

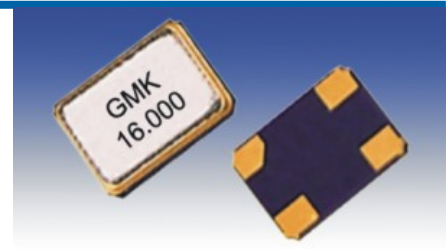
Quartz Crystal

SEAM SEALED CERAMIC 4.0X2.5MM Surface Mount Package



FEATURE

- Ultra thin, thickness 1.0mm
- Leadless type
- High precision characteristic covering up to high frequency range
- Automatic mounting
- Embossed taping specification
- Suitable for Reflow soldering



APPLICATIONS

Small communication devices

ELECTRICAL SPECIFICATIONS

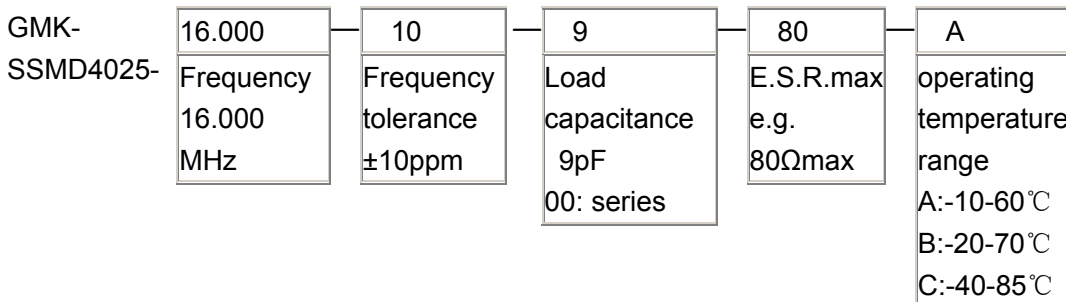
Frequency Range	12.000 MHz -- 48.000 MHz
Mode	See Below Table
Frequency Tolerance (at 25°C)	±10ppm, ±30ppm, or specify
Frequency Stability Over Operating Temperature Characteristics	±10ppm,±30ppm, or specify
Operable Temperature Range	-10 °C -- + 60 °C , -20 °C -- + 70 °C , -40 °C -- + 85 °C
Storage Temperature Range	-55 °C to +125 °C
Shunt Capacitance (C ₀)	5.0 pF Max
Driver Level (Typical)	10μW~100μW
Load Capacitance(C _L)	Series, 16pF, 20pF, 30pF, 32pF, or specify
Aging @25°C 1 st year (Max)	±3ppm/year
Shock Resistance	Drop test of 3 times on 2mm stainless plate from 75cm height

REMARK: SPECIFICATIONS SUBJECT TO CHANGE WITHOUT PRIOR NOTICE. PLEASE CONFIRM WITH OUR SALES ENGINEER

EQUIVALENT SERIES RESISTANT(ESR)

Frequency Range	E.S.R. (Ω)	Mode
12.000 MHz ~ 23.999 MHz	80 Max	AT /Fundamental
24.000 MHz ~ 48.000 MHz	60 Max	AT /Fundamental

PART NUMBERING



Great Marking (HK) Industry Co., Limited.

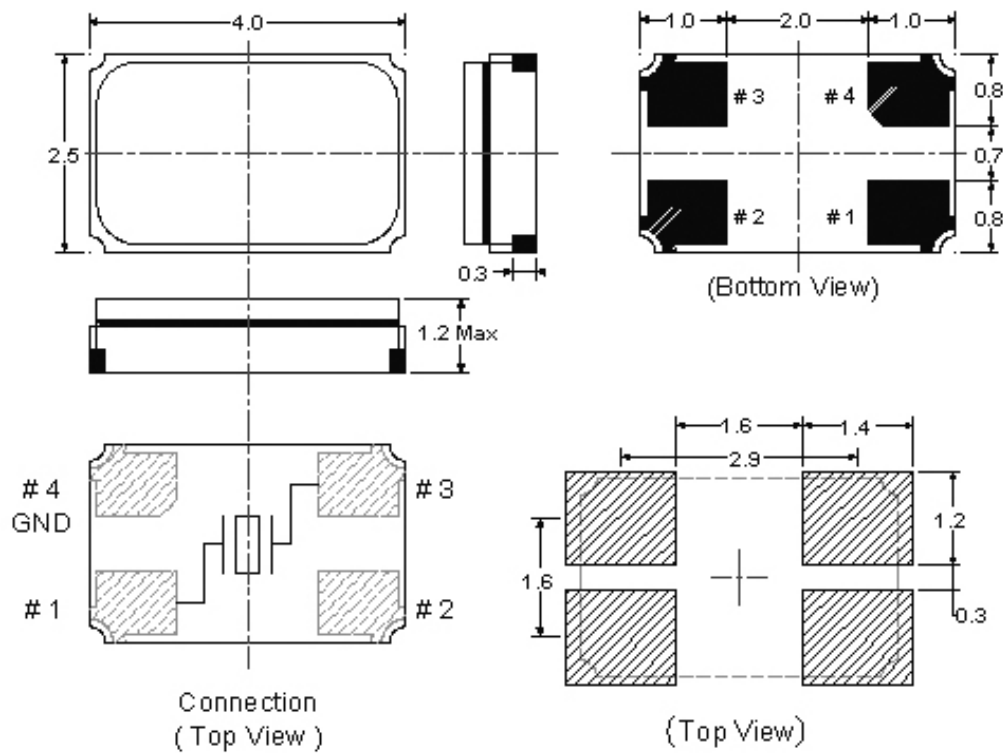
Add: Unit 27EF, the Sky Castle, North of Jingtian, Futian District, Shenzhen 518034 CHINA

Tel: +86-755-83056036 83056901 83056902 Fax: +86-755-83056903

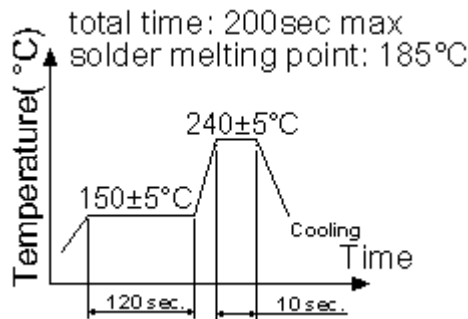
E-mail: sales@greatmarking.com Url: www.greatmarking.com



DIMENSIONS



REFLOW CONDITION



PACKING

